

FORM EXIT LIGHT



Sleek Architectural Exit

The Form exit strikes a balance between form & function for applications using a 16m viewing distance. Featuring an elegant and size optimised anodised aluminium frame, the Form is a versatile architectural solution available in multiple configurations including wall, ceiling, recessed or suspended rod mounting.

Designed for simplified installation and maintenance, it also features our industry leading 'One-Box' solution that allows easy changing of directional decals as required.

Applications

-  Office Buildings
-  Retail outlets
-  Galleries
-  Apartments
-  Shopping Centres
-  Foyers



Features and Benefits

- AS/NZS 2293.3 compliant
- 16m viewing distance
- 'One Box' solution with all changeable directional decals included
- Multiple mounting configurations for all applications
- Optimised Escape Route Illumination with twin rotating emergency lenses
- Up to IP42 Ingress Protection
- Lithium Iron Phosphate or Nanophosphate® battery
- DALI and Zoneworks test options



FORM EXIT LIGHT – WALL MOUNT

ORDERING INFORMATION		LP	L10	LP	L10
Mounting Configuration		Wall Mount - Surface		Wall Mount - Recessed	
TEST OPTIONS PART NO	DALI - Aluminium / White	FORM-16-SM-WM-LP-D2-ESC	FORM-16-SM-WM-L10-D2-ESC	FORM-16-REC-WM-LP-D2-ESC	FORM-16-REC-WM-L10-D2-ESC
	Zoneworks XT Hive - Aluminium / White	FORM-16-SM-WM-LP-HV-ESC	FORM-16-SM-WM-L10-HV-ESC	FORM-16-REC-WM-LP-HV-ESC	FORM-16-REC-WM-L10-HV-ESC
	DALI - Black / Black	FORM-16-SM-WM-LP-D2-ESC-BLK	FORM-16-SM-WM-L10-D2-ESC-BLK	FORM-16-REC-WM-LP-D2-ESC-BLK	FORM-16-REC-WM-L10-D2-ESC-BLK
	Zoneworks XT Hive - Black / Black	FORM-16-SM-WM-LP-HV-ESC-BLK	FORM-16-SM-WM-L10-HV-ESC-BLK	FORM-16-REC-WM-LP-HV-ESC-BLK	FORM-16-REC-WM-L10-HV-ESC-BLK
Twin Rotating Emergency Lenses		Yes			
Carton Quantity		1			
Weight - Single (Standard)		0.55kg		0.75kg	
Dimensions (L x W x H)		220mm x 18mm x 110mm - Blade Assembly 210mm x 25mm x 100mm - Body / Box		220mm x 18mm x 110mm - Blade Assembly 210mm x 52mm x 100mm - Body / Box 200mm x 90mm - Cut out	
Directional Options		All directional inserts included			

POWER, LAMPS AND BATTERY	LP	L10	LP	L10
Power Consumption (Standby / Max)*	1.5W / 3.6W			
Lamp(s)*	>100,000 Hour LEDs			
Battery Type	Lithium Iron Phosphate	Lithium Nanophosphate®	Lithium Iron Phosphate	Lithium Nanophosphate®
Battery Configuration	Integral			
Voltage (V) / Capacity (mAh)	3.2V / 3200mAh	3.3V / 2500mAh	3.2V / 3200mAh	3.3V / 2500mAh
Charging Method	Intelligent Current Limited Constant Voltage			

* Please refer to the specific product datasheet for actual power consumption and lamp life

TECHNICAL SPECIFICATIONS	LP	L10	LP	L10
Operating Mode	Maintained			
Voltage (V) Frequency (Hz)	220-240V (50Hz)			
Construction - Blade Assembly	Anodised Aluminium Frame & Polycarbonate Housing			
Construction - Body / Box	Polycarbonate	PCM Sheet Metal		
Viewing Distance	16m			
Operating Temperature	1°C to 40°C			
Ingress Protection Rating (IP)	IP42	IP20		
Impact Rating (IK)	IK03			

CLASSIFICATION	
Twin Emergency Lens Orientation	
Perpendicular (to the blade)	C0=D32 / C90=C10
Parallel (to the blade)	C0=C12.5 / C90=D32
Mixed (one perpendicular, one parallel to the blade)	C0=D25 / C90=D20

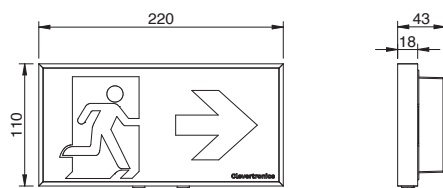
SPACING TABLE AND MOUNTING HEIGHTS – AS/NZS 2293.1:2018 (MINIMUM LIGHT LEVEL OF 0.2 LUX)									
Classification	2.1m	2.4m	2.7m	3.0m	3.3m	3.6m	4.0m	4.5m	5.0m
C10	7.3	7.7	8.0	8.3	8.6	8.8	9.0	9.1	9.2
C12.5	7.8	8.2	8.6	8.9	9.2	9.5	9.8	10.0	10.2
D20	11.5	13.2	14.0	14.4	14.8	15.1	15.4	15.8	16.0
D25	11.5	13.2	14.8	15.7	16.1	16.4	16.8	17.3	17.6
D32	11.5	13.2	14.8	16.5	17.6	18.0	18.5	19.0	19.5

For 1 lux and AS/NZS 2293.1:2005 spacing tables please visit: <https://clevertronics.com.au/spacing-tables/>

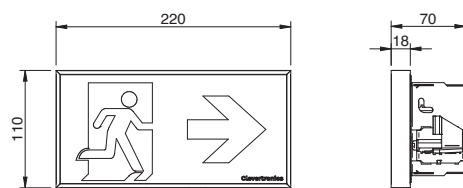
Based on minimum light level of 0.2 lux.
Maximum allowed mounting height is 2.7m but for exceptions see AS/NZS 2293.1.

*Warranty information located at: <https://clevertronics.com.au/warranty-statement/>

WALL MOUNT - SURFACE



WALL MOUNT - RECESSED



FORM EXIT LIGHT – CEILING MOUNT

ORDERING INFORMATION		LP	L10	LP	L10
Mounting Configuration		Ceiling Mount - Surface		Ceiling Mount - Recessed	
TEST OPTIONS PART NO	DALI - Aluminium / White	FORM-16-SM-CM-LP-D2-ESC	FORM-16-SM-CM-L10-D2-ESC	FORM-16-REC-CM-LP-D2-ESC	FORM-16-REC-CM-L10-D2-ESC
	Zoneworks XT Hive - Aluminium / White	FORM-16-SM-CM-LP-HV-ESC	FORM-16-SM-CM-L10-HV-ESC	FORM-16-REC-CM-LP-HV-ESC	FORM-16-REC-CM-L10-HV-ESC
	DALI - Black / Black	FORM-16-SM-CM-LP-D2-ESC-BLK	FORM-16-SM-CM-L10-D2-ESC-BLK	FORM-16-REC-CM-LP-D2-ESC-BLK	FORM-16-REC-CM-L10-D2-ESC-BLK
	Zoneworks XT Hive - Black / Black	FORM-16-SM-CM-LP-HV-ESC-BLK	FORM-16-SM-CM-L10-HV-ESC-BLK	FORM-16-REC-CM-LP-HV-ESC-BLK	FORM-16-REC-CM-L10-HV-ESC-BLK
Twin Rotating Emergency Lenses		Yes			
Carton Quantity		1			
Weight		0.85kg		0.75kg	
Dimensions (L X W X H)		220mm x 18mm x 110mm - Blade Assembly 225mm x 63mm x 53mm - Body / Box		220mm x 18mm x 110mm - Blade Assembly 225mm x 63mm x 53mm - Body / Box 245mm x 85mm - Cover Plate 230mm x 65mm - Cut Out	
Directional Options		All directional inserts included			

POWER, LAMPS AND BATTERY	LP	L10	LP	L10
Power Consumption (Standby / Max)*	1.5W / 3.6W			
Lamp(s)*	>100,000 Hour LEDs			
Battery Type	Lithium Iron Phosphate	Lithium Nanophosphate®	Lithium Iron Phosphate	Lithium Nanophosphate®
Battery Configuration	Integral			
Voltage (V) / Capacity (mAh)	3.2V / 3200mAh	3.3V / 2500mAh	3.2V / 3200mAh	3.3V / 2500mAh
Charging Method	Intelligent Current Limited Constant Voltage			

*Please refer to the specific product data sheet for actual power, light output, lamp lifetime and driver values.

TECHNICAL SPECIFICATIONS	LP	L10	LP	L10
Operating Mode	Maintained			
Voltage (V) Frequency (Hz)	220-240V (50Hz)			
Construction - Blade Assembly	Anodised Aluminium Frame & Polycarbonate Housing			
Construction - Body / Box	Powder Coated Cast Aluminum	PCM Sheet Metal		
Viewing Distance	16M			
Operating Temperature	1°C to 40°C			
Ingress Protection Rating (IP)	IP20			
Impact Rating (IK)	IK03			

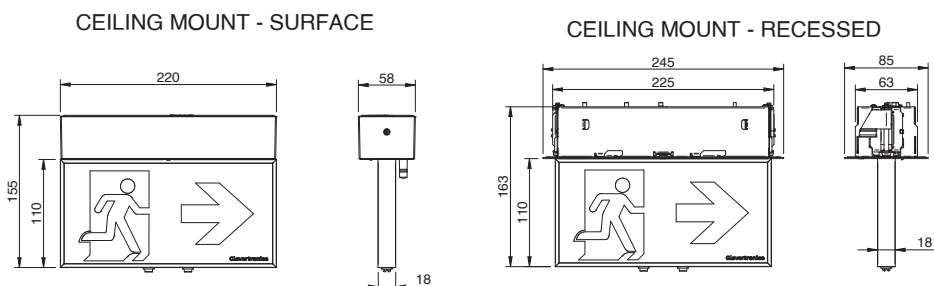
CLASSIFICATION	
Twin Emergency Lens Orientation	
Perpendicular (to the blade)	C0=D32 / C90=C10
Parallel (to the blade)	C0=C12.5 / C90=D32
Mixed (one perpendicular, one parallel to the blade)	C0=D25 / C90=D20

SPACING TABLE AND MOUNTING HEIGHTS – AS/NZS 2293.1:2018 (MINIMUM LIGHT LEVEL OF 0.2 LUX)									
Classification	2.1m	2.4m	2.7m	3.0m	3.3m	3.6m	4.0m	4.5m	5.0m
C10	7.3	7.7	8.0	8.3	8.6	8.8	9.0	9.1	9.2
C12.5	7.8	8.2	8.6	8.9	9.2	9.5	9.8	10.0	10.2
D20	11.5	13.2	14.0	14.4	14.8	15.1	15.4	15.8	16.0
D25	11.5	13.2	14.8	15.7	16.1	16.4	16.8	17.3	17.6
D32	11.5	13.2	14.8	16.5	17.6	18.0	18.5	19.0	19.5

For 1 lux and AS/NZS 2293.1:2005 spacing tables please visit: <https://clevertronics.com.au/spacing-tables/>

Based on minimum light level of 0.2 lux. Maximum allowed mounting height is 2.7m but for exceptions see AS/NZS 2293.1.

*Warranty information located at: <https://clevertronics.com.au/warranty-statement/>



FORM EXIT LIGHT – ROD SUSPENDED

ORDERING INFORMATION		LP	L10	LP	L10
Mounting Configuration		Ceiling Mount - Surface Rod Suspended		Ceiling Mount - Recessed Rod Suspended	
TEST OPTIONS PART NO	DALI - Aluminium / White	FORM-16-SM-CM-RS-LP-D2	FORM-16-SM-CM-RS-L10-D2	FORM-16-REC-CM-RS-LP-D2	FORM-16-REC-CM-RS-L10-D2
	Zoneworks XT Hive - Aluminium / White	FORM-16-SM-CM-RS-LP-HV	FORM-16-SM-CM-RS-L10-HV	FORM-16-REC-CM-RS-LP-HV	FORM-16-REC-CM-RS-L10-HV
	DALI - Black / Black	FORM-16-SM-CM-RS-LP-D2-BLK	FORM-16-SM-CM-RS-L10-D2-BLK	FORM-16-REC-CM-RS-LP-D2-BLK	FORM-16-REC-CM-RS-L10-D2-BLK
	Zoneworks XT Hive - Black / Black	FORM-16-SM-CM-RS-LP-HV-BLK	FORM-16-SM-CM-RS-L10-HV-BLK	FORM-16-REC-CM-RS-LP-HV-BLK	FORM-16-REC-CM-RS-L10-HV-BLK
Twin Rotating Emergency Lenses		No			
Carton Quantity		1			
Weight		1.3kg		1.2kg	
Dimensions (L x W x H)		220mm x 18mm x 110mm - Blade Assembly 225mm x 63mm x 53mm - Body / Box 1500mm x 5mm ø Rod		220mm x 18mm x 110mm - Blade Assembly 225mm x 63mm x 53mm - Body / Box 277mm x 99mm - Cover Plate 230mm x 65mm - Cut Out 1500mm x 5mm ø Rod	
Directional Options		All directional inserts included			

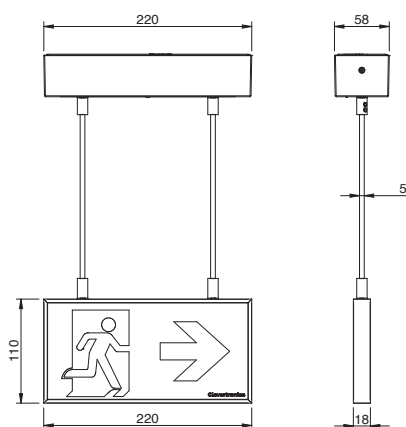
POWER, LAMPS AND BATTERY	LP	L10	LP	L10
Power Consumption (Standby / Max)*	1.5W / 3.6W			
Lamp(s)*	>100,000 Hour LEDs			
Battery Type	Lithium Iron Phosphate	Lithium Nanophosphate®	Lithium Iron Phosphate	Lithium Nanophosphate®
Battery Configuration	Integral			
Voltage (V) / Capacity (mAh)	3.2V / 1100mAh	3.3V / 2500mAh	3.2V / 1100mAh	3.3V / 2500mAh
Charging Method	Intelligent Current Limited Constant Voltage			

* Please refer to the specific product datasheet for actual power consumption and lamp life

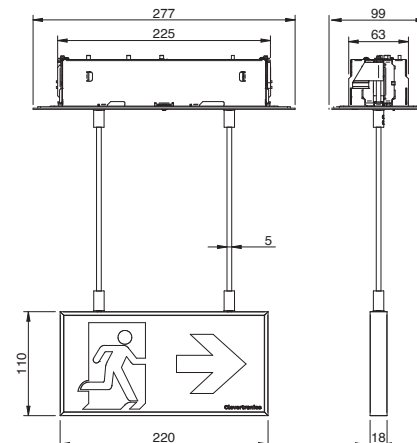
TECHNICAL SPECIFICATIONS	LP	L10	LP	L10
Operating Mode	Maintained			
Voltage (V) Frequency (Hz)	220-240V (50Hz)			
Construction - Blade Assembly	Anodised Aluminium Frame & Polycarbonate Housing			
Construction - Body / Box	Polycarbonate		PCM Sheet Metal	
Viewing Distance	16M			
Operating Temperature	1°C to 40°C			
Ingress Protection Rating (IP)	IP20			
Impact Rating (IK)	IK03			

*Warranty information located at:
<https://clevertronics.com.au/warranty-statement/>

CEILING MOUNT - SURFACE
ROD SUSPENDED



CEILING MOUNT - RECESSED
ROD SUSPENDED



The product details described in this document are current as at the version date of the document. We reserve the right to change product design, specifications or materials (Specifications) as part of our continuous improvement program. Please confirm the applicable Specifications at the time of placing your order.

clevertronics.co.nz
clevertronics.com.au

1 Caribbean Drive, Scoresby VIC 3179
P +61 3 9559 2700 F +61 3 9559 2799 E info@clevertronics.com.au

Clevertronics is committed to continuously improving its products. All features and specifications are subject to change without prior notice.
_PRODUCT SHEETS – ANZ Form Exit 08JUN23

